


Snap-In Cable Glands, EMC 4, Brass

EMC cable glands with open moving spring contact, front-side assembly, without thread

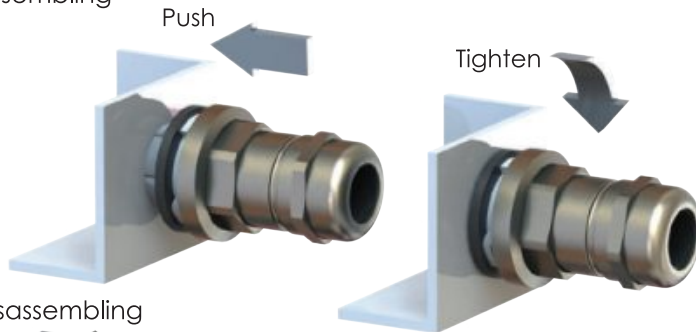
- Specially designed EMC protective cable glands - easy to assemble to housings without threaded holes.
- Vibration proof EMC performance.
- Long-lasting contact by high definition contact spring.
- Moving spring contact offers reduced risk of sheath damage.
- Easy assembly and disassembly of cable. Spring closes and opens according to fastening of the cap.
- Easy movement of cable as long as not fastened.
- Easy assembly: push cable gland and turn body clockwise - prepare cable sheath - insert cable - tighten cap.
- Perfectly fit to wall thickness 0,5 mm to 4,0 mm.
- High quality strain relief and sealing, reliable performance for EMC applications.

Technical Details

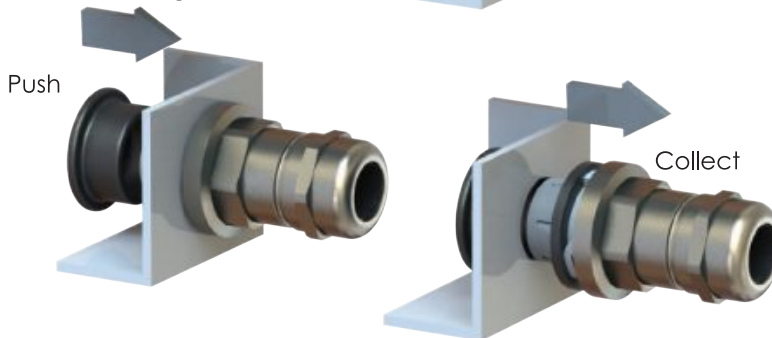
Material	Body, Cap	Brass Nickel plated	
	Seal	CR (Chloroprene)	
	Gasket	CR (Chloroprene)	
	Clamping Insert	PA 6 (Polyamide 6)	
	Lower Body	PA 6 (Polyamide 6)	
	Contact Spring	Special Copper Alloy	
Ingress Protection Rating	IP 68 - 5 Bar, 30 min		
	IP 66		
Flammability	V2 according to UL94		
Operating Temperature	Permanent	-20 °C to +100 °C	
	Intermittent	-40 °C to +150 °C	
Cable Type	Shielded		
Accessories	<ul style="list-style-type: none"> • Dome plugs • Disassembly tool (one piece included per Minimum Order Quantity) 		
Remarks	<ul style="list-style-type: none"> • Manufactured according to DIN EN 62444/50262. • Accessories must be ordered separately. 		
Approvals	Certificate Number	Standards	
	SERCOVAM RES 107572	acc. to UL514B §8.26.7	



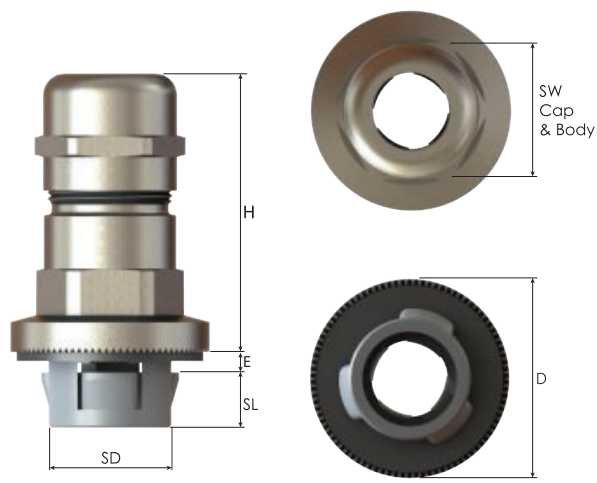
Assembling



Disassembling

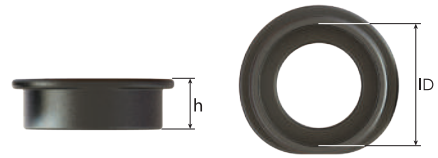
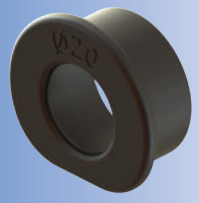


Snap-In Cable Glands, EMC 4 Brass



wall thickness (E) : 0,5 - 4,0 mm

Snap Size	Clamping Range Ø min-max mm	Shield Diameter Ø min-max mm	Snap Length		Enclosure Hole Ø HD mm	Spanner Width		Outer Ø D mm	max. Height H mm	Part Number	Minimum Order Quantity
			SL mm	SD mm		SW Cap mm	SW Body mm				
20	6,0 - 12,0	4,5 - 10,0	9,0	19,9	20,2 - 20,4	22	22	32,3	52,5	BMEOS-E2S(T)	150



Snap-In Cable Gland Disassembling Tool

Tool to disassemble Snap-In Glands	
Technical Details	
Material	PA 6 (Polyamide 6)

For Gland Size	Inner Ø ID mm	Height h mm	Part Number
20	20,0	13,0	BEX-20